

SONY.

3-758-045-21(1)

Stereo Turntable System

Operating Instructions

PS-LX56

Warning

Owner's Record

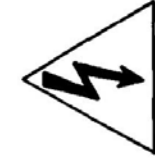
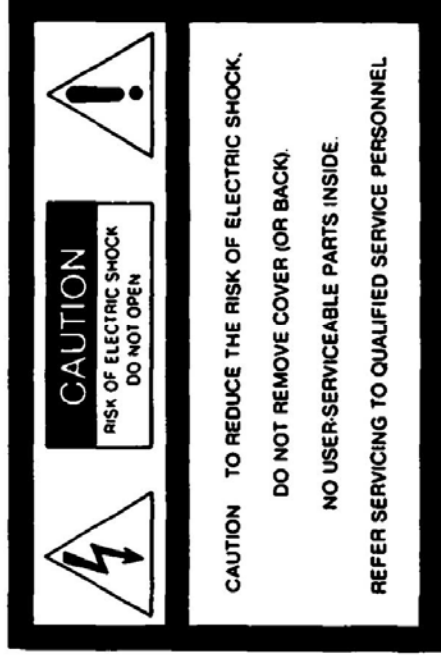
The model and serial numbers are located at the rear. Record these numbers in the spaces provided below. Refer to them whenever you call upon your Sony dealer regarding this product.

Model No. PS-LX56

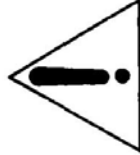
Serial No. _____

WARNING

To prevent fire or shock hazard, do not expose the unit to rain or moisture.





This symbol is intended to alert the user to the presence of uninsulated "dangerous voltage" within the product's enclosure that may be of sufficient magnitude to constitute a risk of electric shock to persons.



This symbol is intended to alert the user to the presence of important operating and maintenance (servicing) instructions in the literature accompanying the appliance.

NOTICE FOR CUSTOMERS IN THE UNITED KINGDOM

A moulded plug complying with BS 1363 is fitted to this equipment for your safety and convenience.

Should the fuse in the plug supplied need to be replaced, a 5 AMP fuse approved by ASTA or BSI to BS 1362, (i.e. marked with  or ) must be used.

If the plug supplied with this equipment has a detachable fuse cover, be sure to attach the fuse cover after you change the fuse. Never use the plug without the fuse cover. If you should lose the fuse cover, please contact your nearest Sony service station.

IMPORTANT

If the plug supplied is not suitable for the socket outlets in your home, it should be cut off and an appropriate plug fitted in accordance with the following instructions.

The wires in this mains lead are coloured in accordance with the following code:

Blue: Neutral

Brown: Live

As the colours of the wires in the mains lead of this apparatus may not correspond with the coloured markings identifying the terminals in your plug, proceed as follows:

The wire which is coloured blue must be connected to the terminal which is marked with the letter N or coloured black. The wire which is coloured brown must be connected to the terminal which is marked with the letter L or coloured red. Do not connect either wire to the earth terminal in the plug which is marked by the letter E or by the safety earth symbol \perp or coloured green or green-and-yellow.

WARNING

To prevent shock hazard, do not insert the plug cut off from the mains lead into a socket outlet. This plug cannot be used and should be destroyed.

Table of Contents

Precautions	3
Connections	4
Removing the dust cover	4
Playing records	5
Maintenance	6
Cleaning the stylus	6
Cleaning the cabinet	6
Replacing the stylus	6
Location of controls	6
Troubleshooting guide	7
Specifications	Back cover

Precautions

On safety

- Operate the unit only on 120 V AC, 60 Hz (U.S.A.) or 240 V AC, 50/60 Hz (UK)
- Should any solid object or liquid fall into the cabinet, unplug the unit and have it checked by qualified personnel before operating it any further.
- Unplug the unit from the wall outlet if it is not to be used for an extended period of time. To disconnect the cord, pull it out by the plug. Never pull the cord itself.

On installation

- Do not install the unit near heat sources such as radiators or air ducts, or in a place subject to direct sunlight, excessive dust, mechanical vibration or shock.
- Good air circulation is essential to prevent internal heat build-up in the unit. Place the unit in a location with adequate air circulation. Do not place the unit on a soft surface.

On repacking

Do not throw away the carton and packing materials. It is an ideal container in which to transport the unit. When shipping the unit to another location, repack it.

On cleaning

Clean the cabinet periodically with a soft dry cloth. If the stains are difficult to remove, use a cloth moistened with a mild detergent solution. Do not use solvents such as alcohol, benzene or thinner, since they will damage the finish.

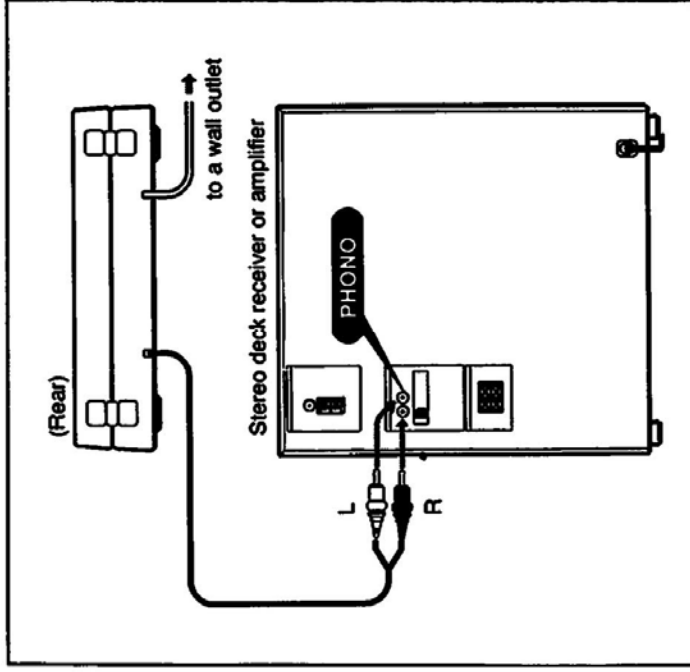
For the customers in the U.S.A.

For detailed precautions, see the leaflet "IMPORTANT SAFEGUARDS".

If you have any question or problem concerning your unit that is not covered in this manual, please consult the nearest Sony dealer.

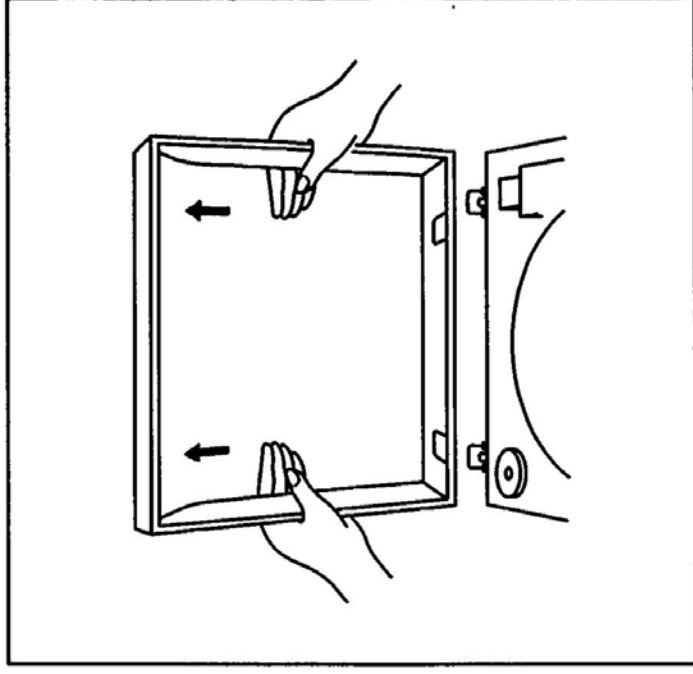
Connections

Turn all the power off before making connections, and connect the AC power cord last.



Removing the Dust Cover

Open the cover fully and pull it up.



Note

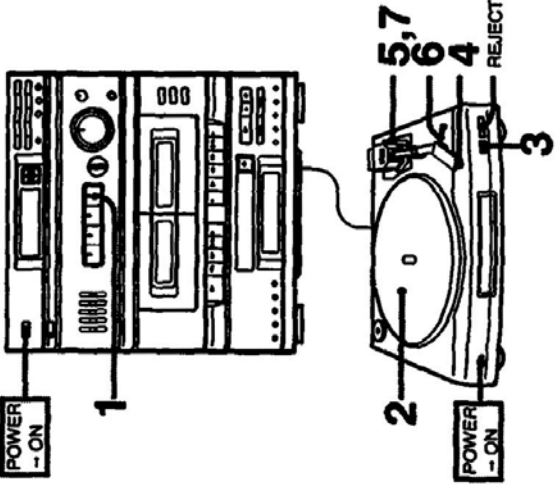
Connect the red plug to the right-channel jack (R), and the white plug to the left-channel jack (L).

Notes on Installation

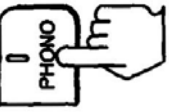
- Place the turntable on a level surface.
- Avoid placing the unit near electrical appliances (such as a television, hair dryer, or fluorescent lamp) which may cause hum or noise.
- Place the turntable where it will not be subject to any vibration, such as from speakers, slamming of doors, etc.
- Keep the unit away from direct sunlight, extremes of temperature, and excessive dust and moisture.

Playing Records

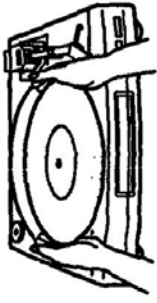
You can listen to records from the beginning or from a desired point.



1 Select the turntable (PHONO) with the function selector of the amplifier.




2 Place a record on the turntable.




To play a 17-cm record
Use the supplied adaptor.

3 Select the speed with the SPEED selector.




45
33
SPEED


4 Remove the cover from the cartridge, and release the tone arm from its armrest.




5 Set the cueing lever to **V**.



6 Move the tone arm by hand to the desired point on the record.



7 Set the cueing lever to **V**.



When the record is played to the end, the tone arm returns to the armrest and the turntable stops.

To stop during play, press the REJECT button.

To play a different part of the record

Lift the tone arm by setting the cueing lever to **V**, move the tone arm by hand to the desired point, then set the cueing lever to **V**.

If the tone arm moves outward when you move it close to the center Do not resist this movement, as it may damage the automatic return mechanism.

If the tone arm does not return to its armrest Press the REJECT button.

Maintenance

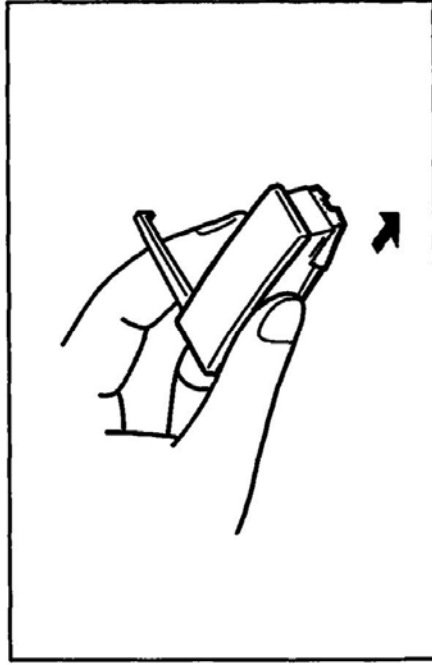
Cleaning the Stylus

Before playing record, clean the stylus with a soft brush. Brush the stylus from back to front. Never attempt to clean the stylus with your finger tip. If a fluid stylus cleaner is used, make sure not to moisten the stylus too much.

Cleaning the Cabinet

Clean the cabinet and dust cover periodically with a soft dry cloth. If the stains are difficult to remove, use a cloth moistened with a mild detergent solution. Do not use solvents such as alcohol, benzine or thinner, since they will damage the finish.

Replacing the Stylus

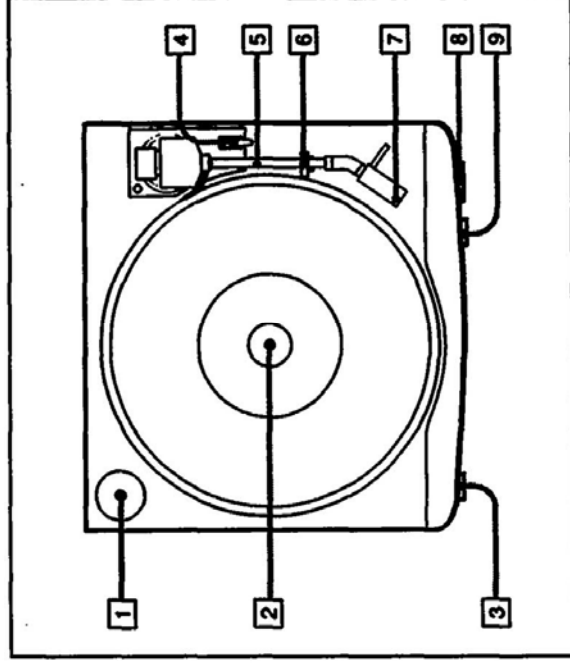


Replace the stylus after about 400 hours of use because using a worn stylus will damage records. A CN-234 replacement stylus is available at your Sony dealer.

Be sure to turn the amplifier off before proceeding with replacement.

- 1 While holding the cartridge, detach the stylus assembly as illustrated.
- 2 Insert the new stylus into the cartridge.

Location of Controls



- | | |
|---|------------------|
| 1 | 45-r/min adaptor |
| 2 | Center spindle |
| 3 | POWER switch |
| 4 | Cueing lever |
| 5 | Tone arm |
| 6 | Armrest |
| 7 | Cartridge |
| 8 | REJECT button |
| 9 | SPEED selector |

Troubleshooting Guide

Before going through the check list below, first make sure that:

- The power cord is securely connected
 - The speaker wires are securely connected
- Should any problem persist after you have made these checks, consult your nearest Sony dealer.

Symptom	Cause	Remedy
Tone arm skips, stases or does not advance.	Turntable is not level.	Place the turntable on a level surface.
Poor sound quality.	The record is dirty or scratched. Stylus is dusty or worn.	Clean or replace the record. Clean or replace the stylus.
Rumble or low frequency howl.*	-Turntable is placed too close to speakers.	Move speakers away from the turntable.
The tone arm does not return to its armrest.	—	Press the REJECT button.

* This is called "acoustic feedback" and is caused when vibrations from the speakers are transmitted through the air or via solid objects (such as the shelves, the cabinet, the floor, etc.) to the turntable, where they are picked up by the stylus, amplified and reproduced through the speakers once again.

Specifications

Turntable	
Platter	30 cm (12 in.)
Motor	DC servo motor
Drive system	Belt drive
Speed	33 1/3 r/min or 45 r/min, switchable
Wow and flutter	0.2% (WRMS)
Signal-to-noise ratio	60 dB (DIN-B)
Automatic system	Return, reject
Tone arm	
Type	Dynamically balanced
Pivot-to-stylus length	203 mm (8 in.)
Overall arm length	235 mm (9 1/4 in.)
Cartridge	
Type	Moving magnet type
Frequency response	20 Hz – 20 kHz
Stylus	CN-234
General	
Dimensions	355 × 94 × 345 mm (w/h/d) (14 × 3 3/4 × 13 3/4 inches)
Weight	Approx. 2.5 kg (5 lb 8 oz)
Power requirement	120 V AC, 60 Hz (U.S.A.) 240 V AC, 50/60 Hz (U.K.)
Power consumption	2 W
Accessory supplied	45-r/min adaptor (1)
Optional accessories	Replacement stylus CN-234 Stat spray XP-C10 Cleaner XP-C1, XP-C2

Design and specifications subject to change without notice.